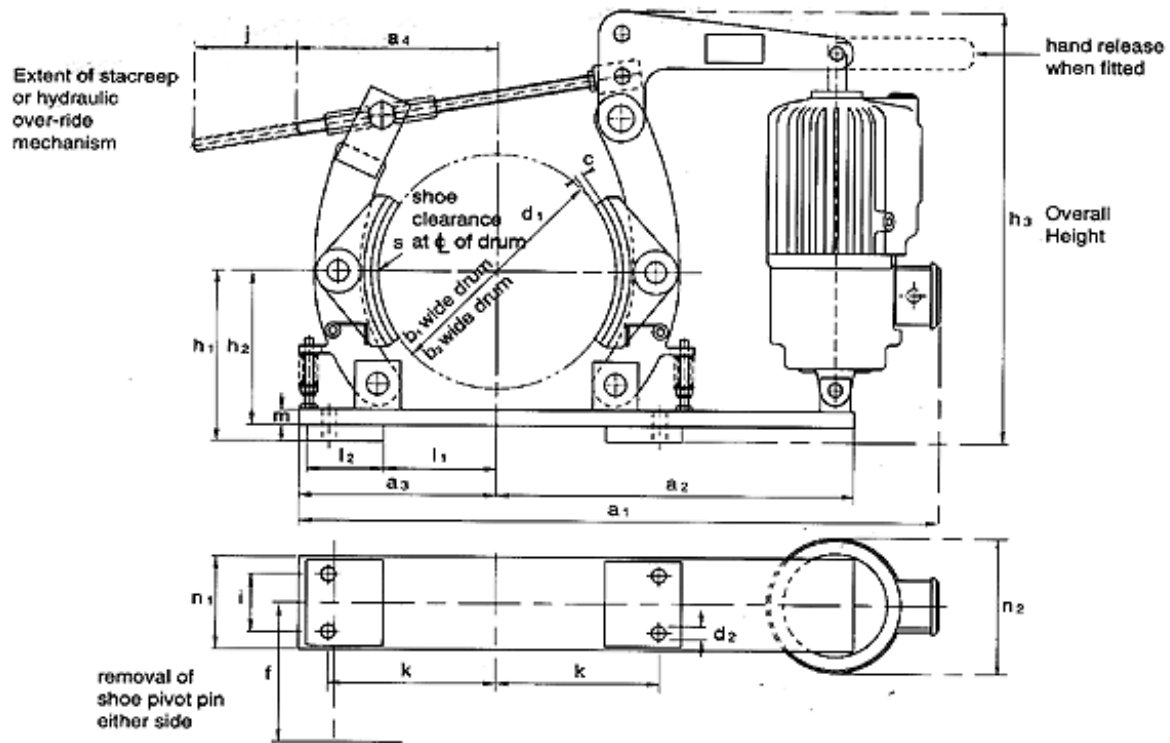


Witton Kramer Brakes and Thrustors - MHWK Thrustor Operated Drum Brakes - Specifications

MHWK Brakes Product Specifications



Brake dia d_1	Thrustor size HD	Max torque Nm	Dimensions in mm										
			a_1	a_2	a_3	a_4	b_1	b_2	c	d_2	f	h_1	h_2
160	25/5	190	650	375	180	200	75	70	8	14	125	160	145
200	25/5	240	650	375	180	200	75	70	8	14	125	160	145
250	25/5	320	730	420	215	215	95	90	8	18	142	190	170
315	25/5	400	825	480	260	280	118	110	10	18	172	230	210
315	75/5	1070	850	480	260	380	118	110	10	18	172	230	210
400	75/5	1290	980	560	315	305	150	140	10	22	207	280	260
400	125/6	2200	1000	570	315	305	150	140	10	22	207	280	260
500	125/6	2520	1190	690	390	390	190	180	12	22	270	340	320
500	200/6	3930	1190	690	390	390	190	180	12	22	270	340	320
500	200/12	5250	1250	750	390	390	190	180	12	22	270	340	320

Brake dia d_1	Thrustor size HD	Overall Height h_3	Dimensions in mm										Thrustor mass kg
			i	j	k	l_1	l_2	m	n_1	n_2	s	VA	

160	25/5	490	55	100	145	85	90	20	100	152	1.00	125	45
200	25/5	490	55	100	145	85	90	20	100	152	1.00	125	45
250	25/5	520	65	100	180	120	90	20	100	152	1.25	125	60
315	25/5	590	80	150	220	157	90	20	130	152	1.25	125	80
315	75/5	590	80	150	220	157	90	20	130	180	1.25	250	90
400	75/5	725	100	150	270	200	90	25	150	229	1.6	750	160
400	125/6	745	100	150	270	200	90	25	150	229	1.6	750	160
500	125/6	875	130	150	325	250	130	30	200	229	1.6	750	265
500	200/6	875	130	150	325	250	130	30	200	229	1.6	750	265
500	200/12	930	130	200	325	250	130	30	200	229	1.6	750	280